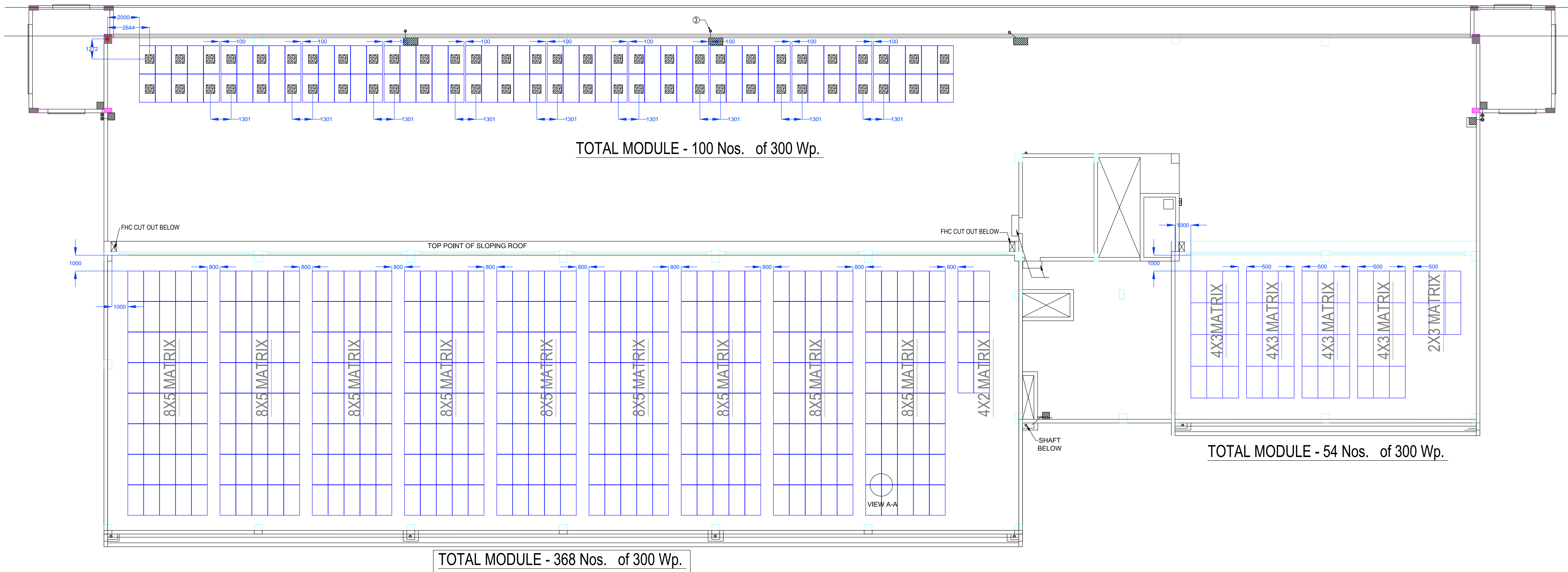
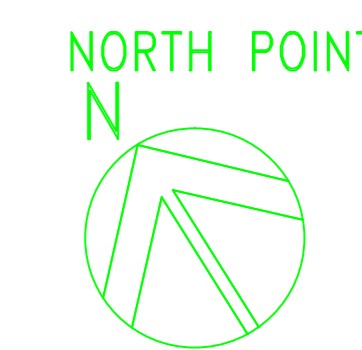
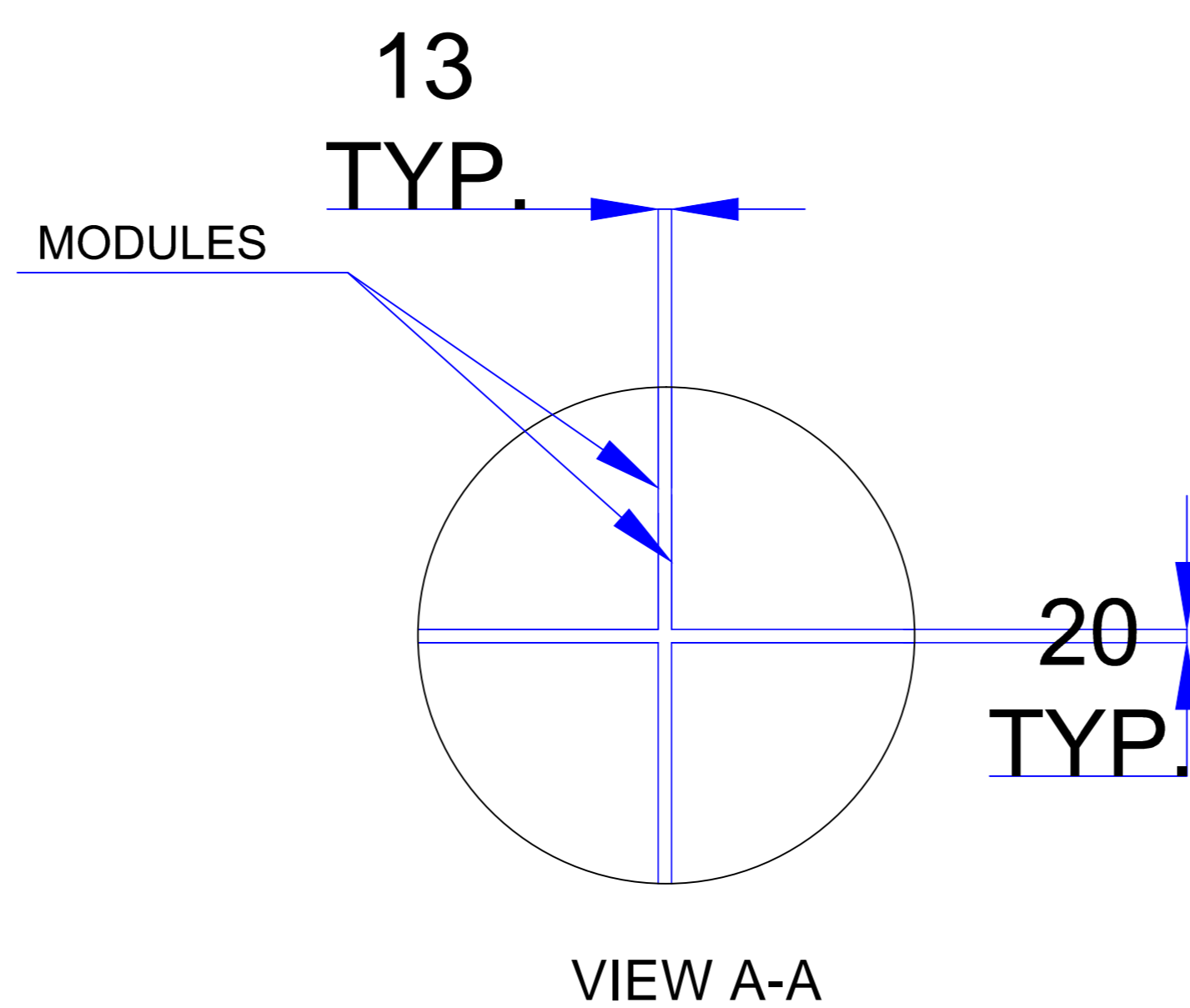
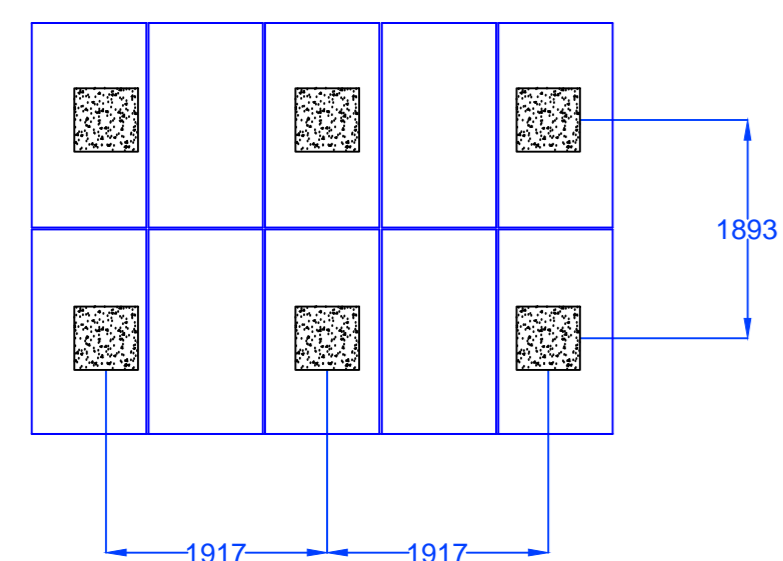


ARRAY LAYOUT OF 156.6 KWp SPVPP at Workshop Building
522 Nos. 300 Wp Modules



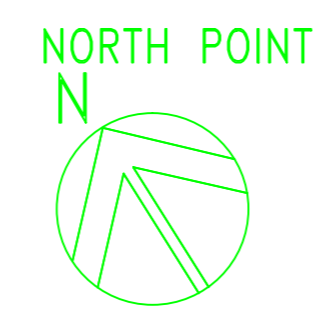
TOTAL NUMBER OF 2X5 MMS- 10 Nos.



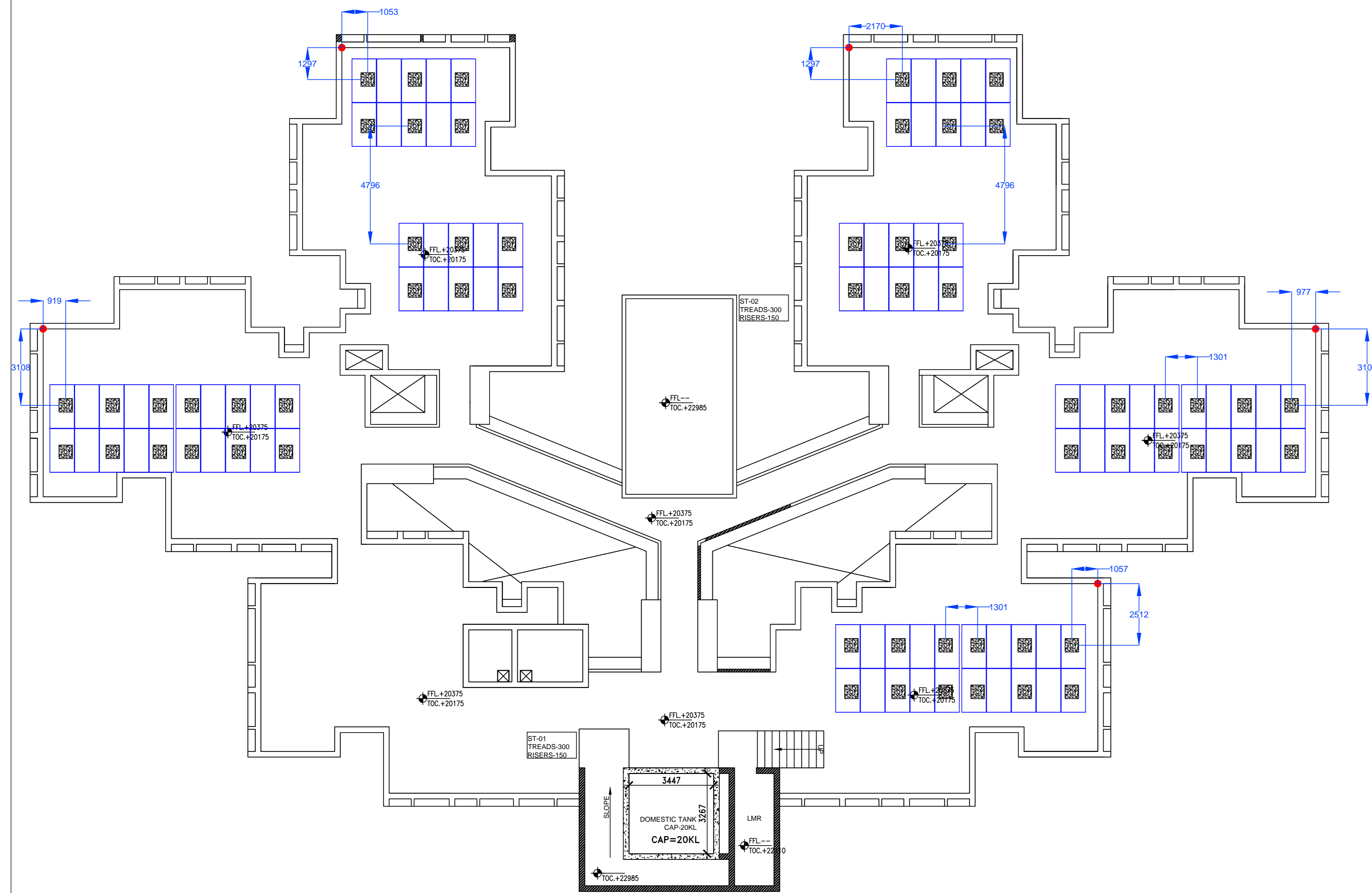
REV.	DESCRIPTION	DATE	DRAWN	CHKD.	APPD.

COPYRIGHT RESERVED					
CLEARED		PROJECT	246.6 kWp at BML University Dharuhera		
DEPT	BY	DATE	OWNER	BML UNIVERSITY	
MECH.			EPC	HERO SOLAR ENERGY PVT. LTD.	
ELEC.			VENDOR		
CIVIL			TITLE	ARRAY LAYOUT OF WORKSHOP BUILDING	
C & I			HERO DWG. NO.		
			SCALE :	NTS	PREPARED BY
			SH. SIZE	A3	KAMAL
			DATE	5.08.15	CHECKED BY
			DATE	5.08.15	AMBRISH SHUKLA
			APPROVED BY		PARVEEN
			DATE	5.08.15	
			REV-0		

ARRAY LAYOUT OF 30 kWp X 3 Nos. KWp SPVPP at Workshop Building
300 Nos. 300 Wp Modules

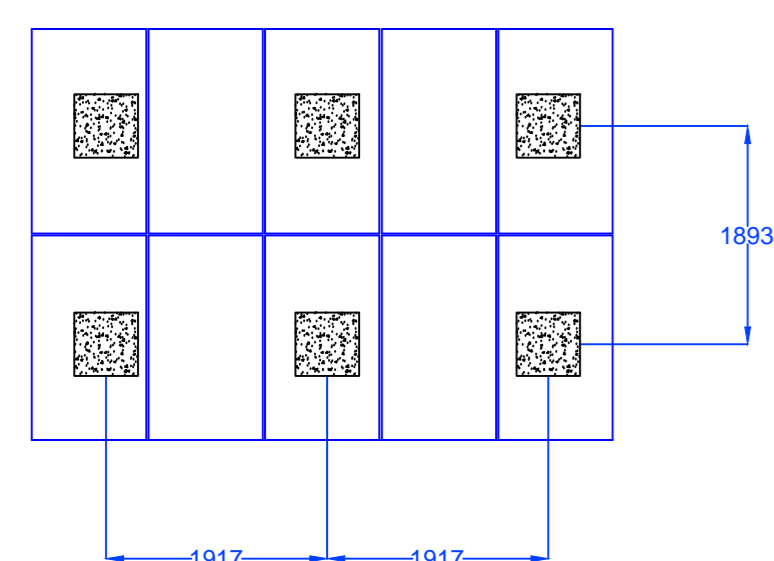


TOWER 01 AND 03

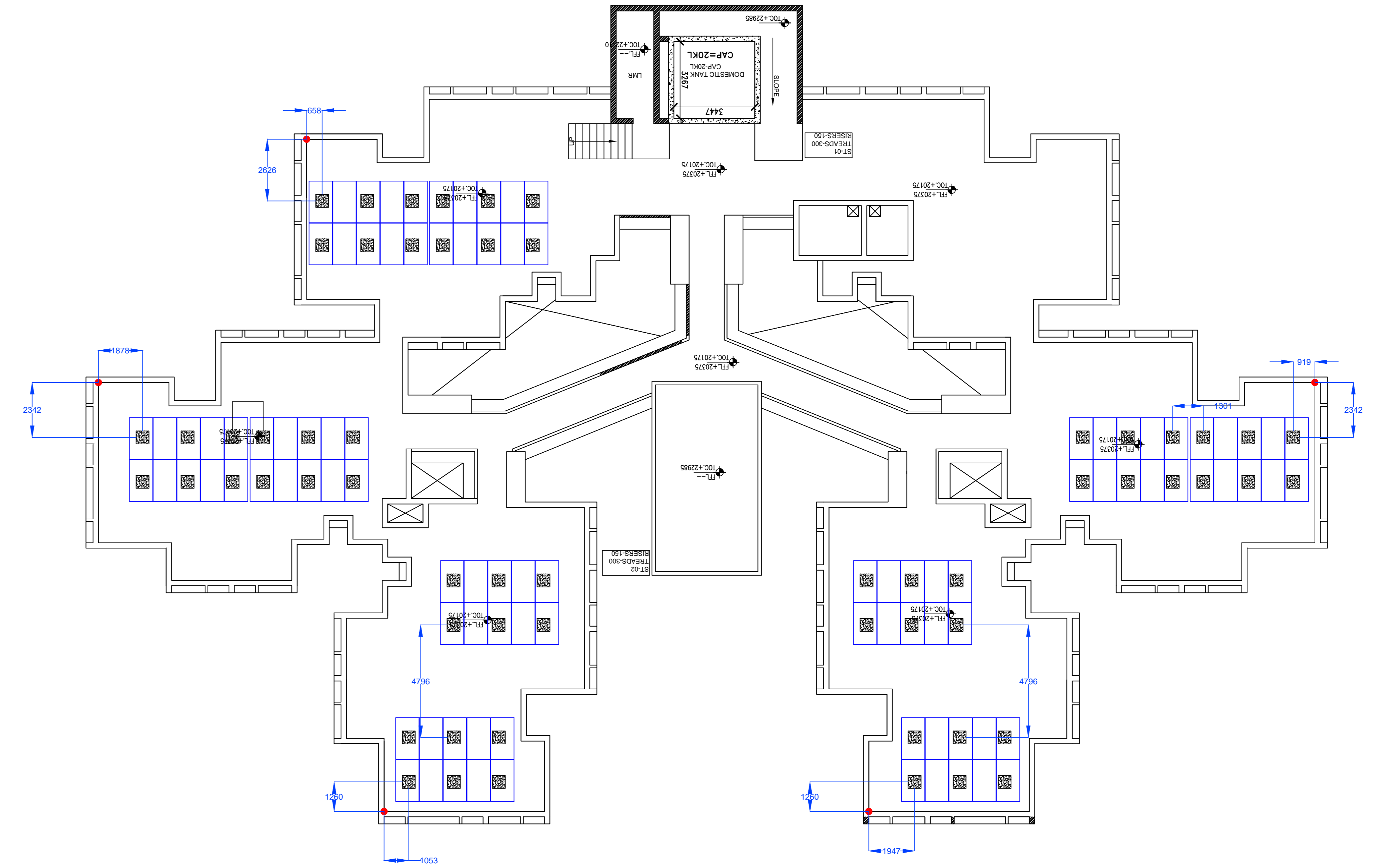


30 kWp X 2Nos.

TOTAL NUMBER OF 2X5 MMS-
10+10+10 Nos.



TOWER 02

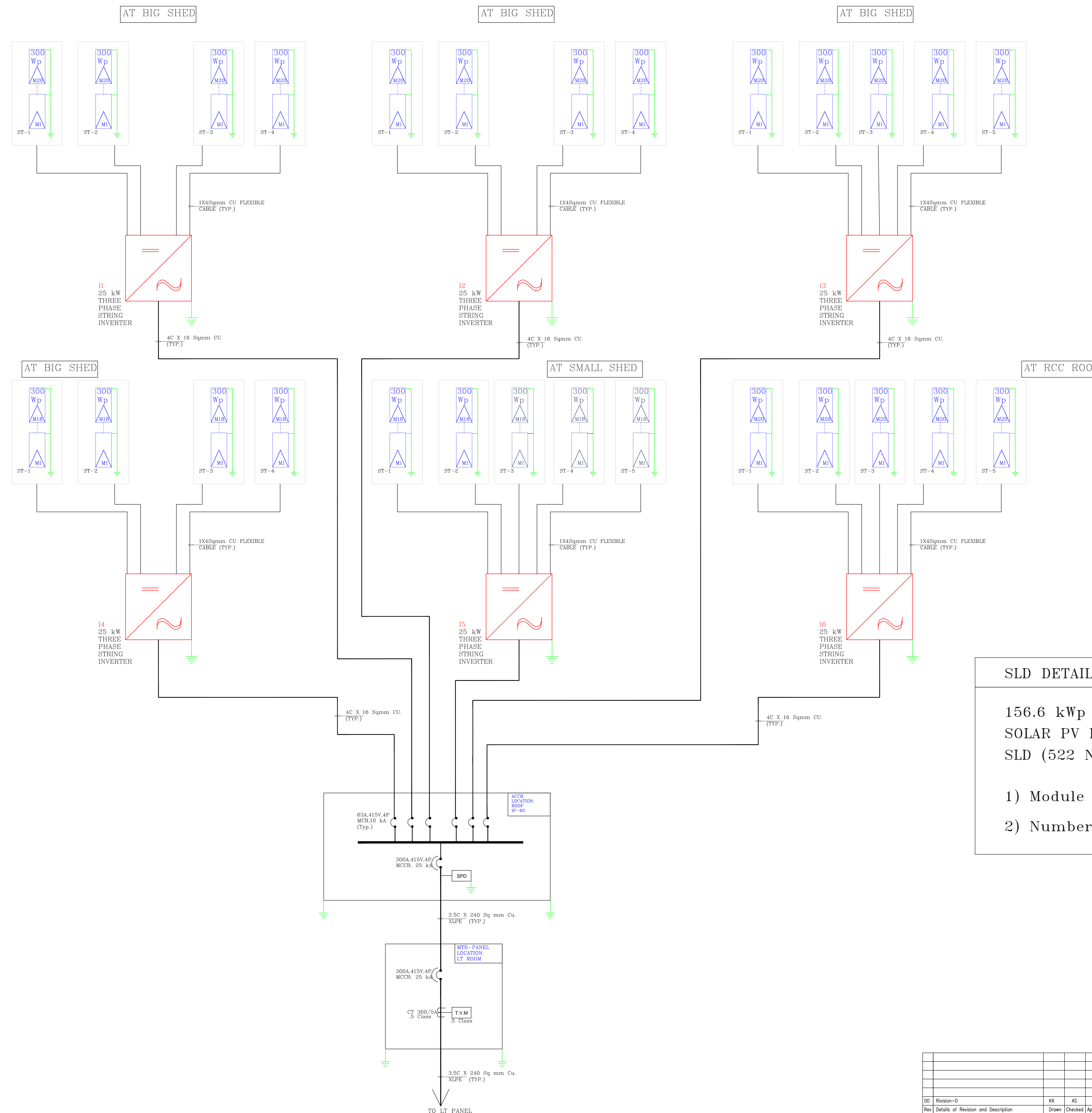


30 kWp X 1 Nos.

COPYRIGHT RESERVED

CLEARED		PROJECT	246.6 kWp at BML University Dharuhera
DEPT.	BY	OWNER	BML UNIVERSITY
MECH.	DATE	EPC	HERO SOLAR ENERGY PVT. LTD.
ELEC.		VENDOR	
CIVIL		TITLE	ARRAY LAYOUT OF TOWER 1,2 AND 3 (30+30+30 kWp)
C & I		HERO DWG.NO.	
REV.	DESCRIPTION	DATE	DRAWN
		CHKD.	APPD.
SCALE :	NTS	PREPARED BY	DATE
SH. SIZE	A3	KAMAL	5.08.15
		CHECKED BY	DATE
		AMRISH SHUKLA	5.08.15
		APPROVED BY	DATE
		PARVEEN	5.08.15
		REV-0	

GENERAL NOTE :-
 THIS DRAWING IS THE PROPERTY OF HERO SOLAR ENERGY PVT. LTD NEW DELHI AND SHALL NOT BE COPIED OR USED IN ANY WAY WITHOUT THEIR PERMISSION, WHO RESERVE THE COPYRIGHT. ALL DIMENSIONS SHALL BE THE RELEVANT ARCHITECTURAL, STRUCTURAL AND THEIR CHECKED AND CORRELATED WITH CONSULTANT'S DRAWING. ANY AMBIGUITY, DISCREPANCY OR COMMISSION SHALL BE BROUGHT TO THE NOTICE OF THE CONSULTANTS IMMEDIATELY BEFORE COMMENCING THE WORK.



SLD DETAILS-

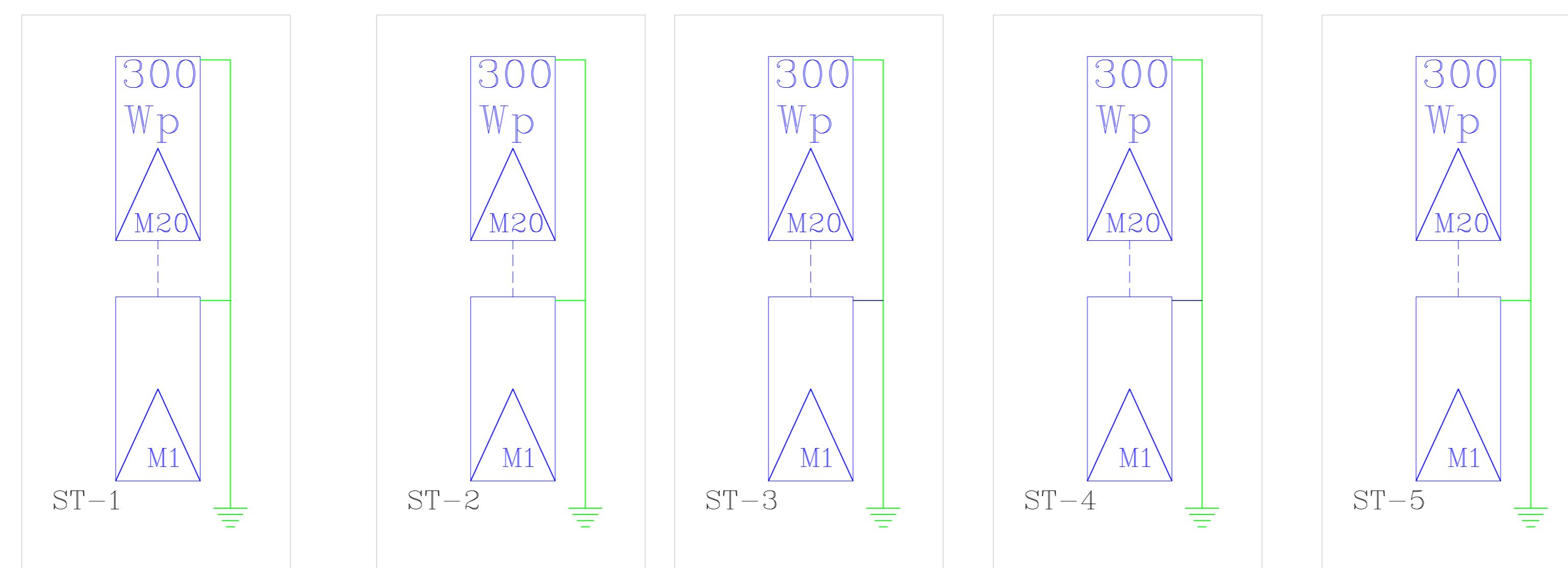
156.6 kWp BML UNIVERSITY
 SOLAR PV POWER PLANT
 SLD (522 Nos. 300 Wp. Modules)

- 1) Module Wattage: 300 Wp
- 2) Number of 25 kW Inverters : 6 Nos.

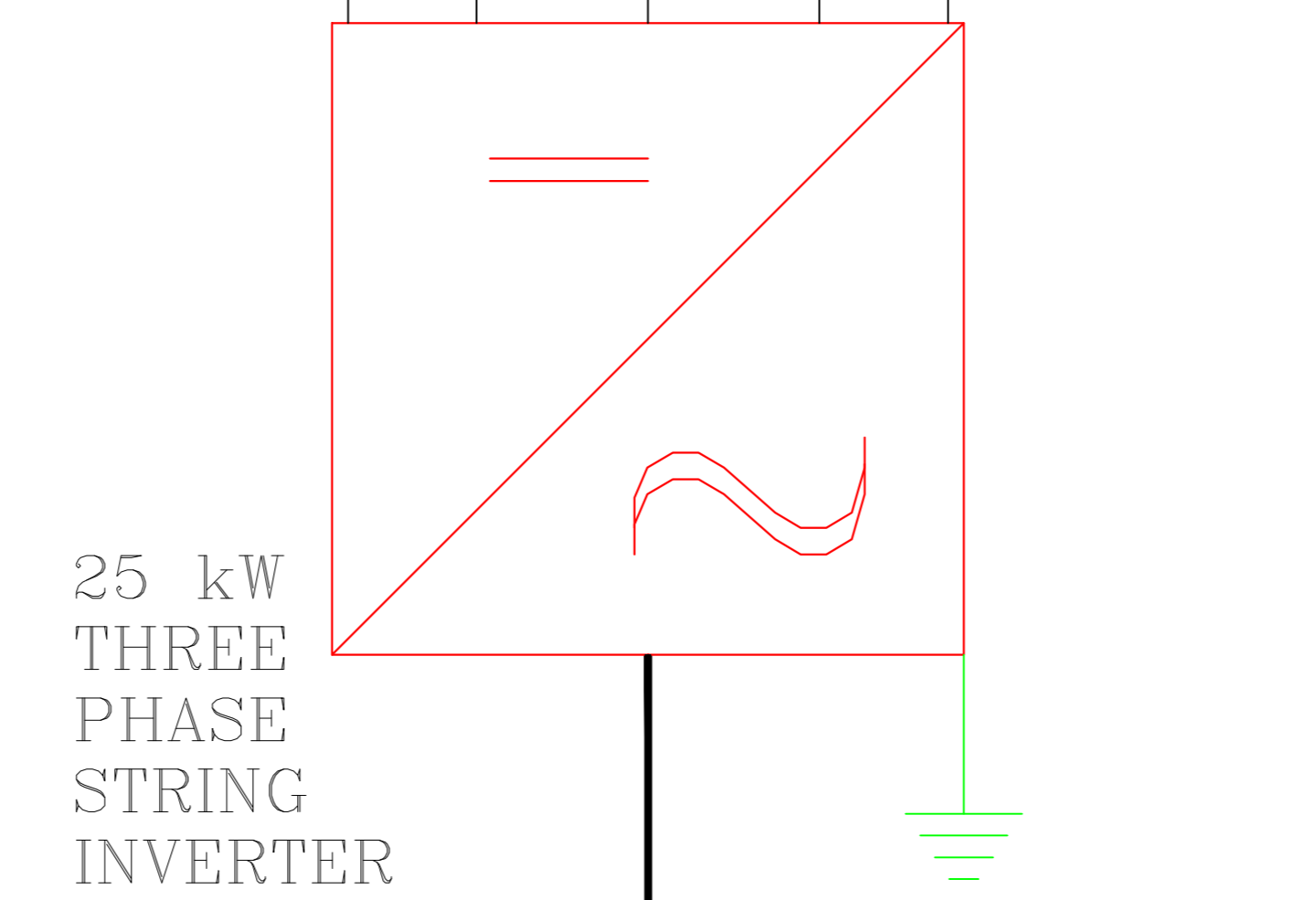
CLEARED						
Dept.	Approved	Date				

PROJECT	156.6 kWp BML UNIVERSITY SOLAR PV POWER PLANT		Scale	N.T.S				
OWNER	BML UNIVERSITY		Sheet	1/2				
IPC	HERO SOLAR ENERGY PRIVATE LIMITED		Status					
TITLE	SINGLE LINE DIAGRAM 156.6 kWp		Rev	0				
DRAWING NUMBER- HSEPL-BML-EE-DW-331								
DD	Revision-0	KK	AS	PJ	5/8/15	C & I		
Rev	Details of Revision and Description		Drawn	Checked	Approved	Date	Projects	

GENERAL NOTE :-
 THIS DRAWING IS THE PROPERTY OF HERO SOLAR ENERGY PVT. LTD NEW DELHI AND SHALL NOT BE COPIED OR USED IN ANY WAY WITHOUT THEIR PERMISSION. WHO RESERVE THE COPYRIGHT. ALL DIMENSIONS SHALL BE THE RELEVANT ARCHITECTURAL, STRUCTURAL AND THEIR CHECKED AND CORRELATED WITH CONSULTANTS DRAWING. ANY AMBIGUITY, DISCREPANCY OR COMMISSION SHALL BE BROUGHT TO THE NOTICE OF THE CONSULTANTS IMMEDIATELY BEFORE COMMENCING THE WORK.



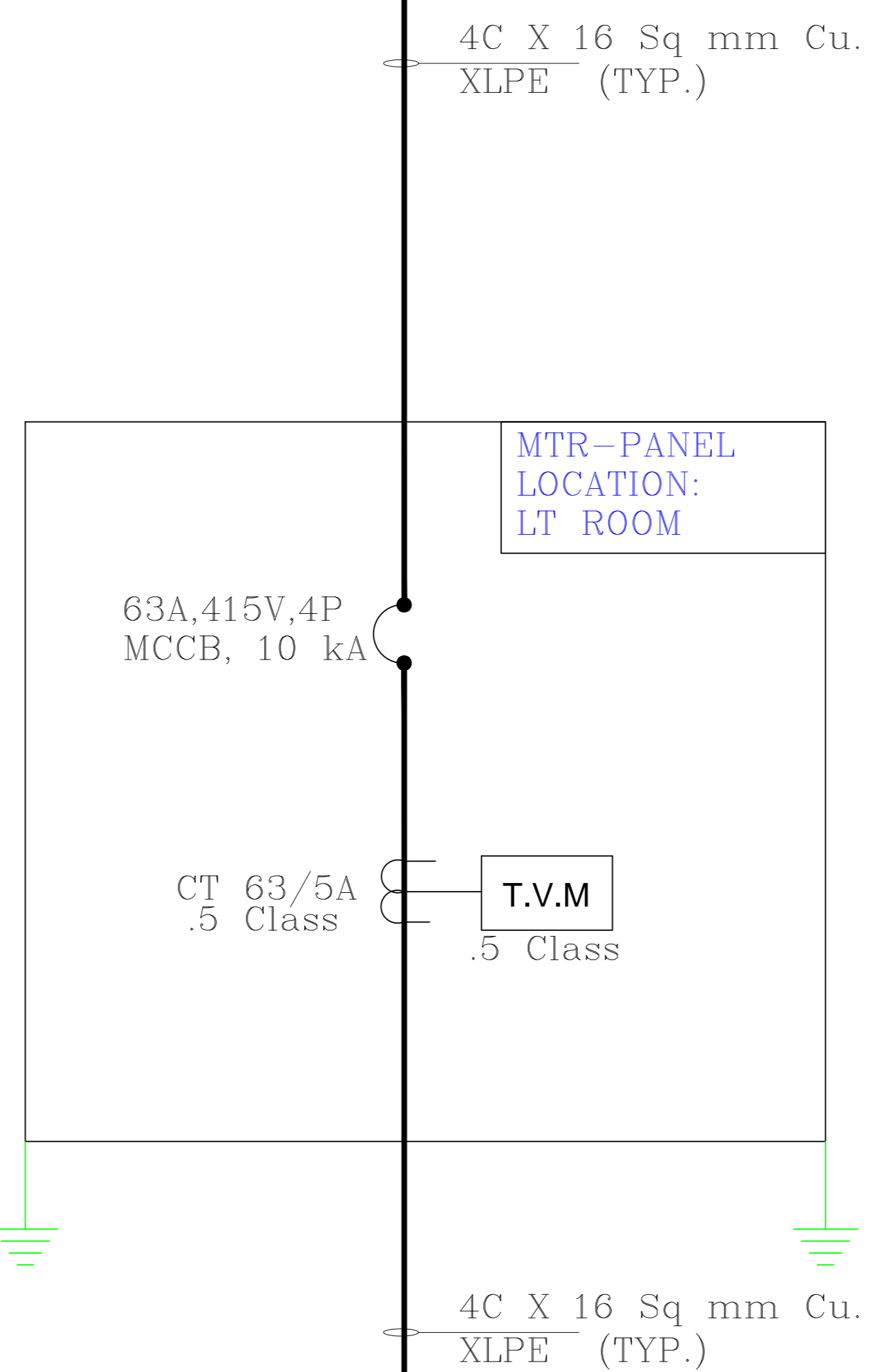
1X4Sqmm CU FLEXIBLE CABLE (TYP.)



SLD DETAILS-

30+30+30 kWp BML UNIVERSITY
 SOLAR PV POWER PLANT
 SLD (100 Nos. 300 Wp. Modules)

1) Module Wattage: 300 Wp
 2) Number of 25 kW Inverters : 1 Nos.



TO LT PANEL

		CLEARED	
Dept.	Approved	Date	

PROJECT	156.6 kWp BML UNIVERSITY SOLAR PV POWER PLANT
OWNER	BML UNIVERSITY
EPC	HERO SOLAR ENERGY PRIVATE LIMITED
TITLE	SINGLE LINE DIAGRAM 30 kWp
DRAWING NUMBER-	HSEPL-BML-EE-DW-331
Scale	N.T.S
Sheet	2/2
Status	
Rev	0